

# Motor Filter

## MF-40-S

Rev	Description of Change	By	Date
A-0	Initial draft	Mark	25.Apr.2011

Table of content

1. Introduction: .....	2
2. Specification.....	2
3. Connector Description .....	錯誤! 尚未定義書籤。
4. Wiring Diagram .....	3
5. MF-40-S Motor Filter Dimensions. ....	4
6. Connector Locations .....	5

DRAFT

1. Introduction:

Purpose

The document is definition of specification of motor filter. The motor filter can be used to minimize noise on the output of any Hiwin amplifier

2. Specification

Please refer under table and description.

MF-40-S Motor Filter operational specification refers table 1.

Input	373Vdc(max)
Output	373Vdc(max)
Continuous /Peak Current(*a)	20Adc(max)/40Adc(1sec)
Ambient operating temperatures(*b)	0 to 40°C
Safety and EMC approval	EN 60939-1-2005

\*a).Maximum input/output peak current up to 1 second from startup

\*b).When used with the amplifiers running continuous currents greater than 12 Adc, the MF-40-S should be cooled with an external fan. The fan should have a flow rate of at least 110 CFM

3. Connector Description

CN1 Connector(Input)

Pin	Name	Function
1	U	Input Phase U from Driver
2	V	Input Phase V from Driver
3	W	Input Phase W from Driver
4	NC	No Connection
5	PE	chassis ground and cable shield

CN2 Connector(Output)

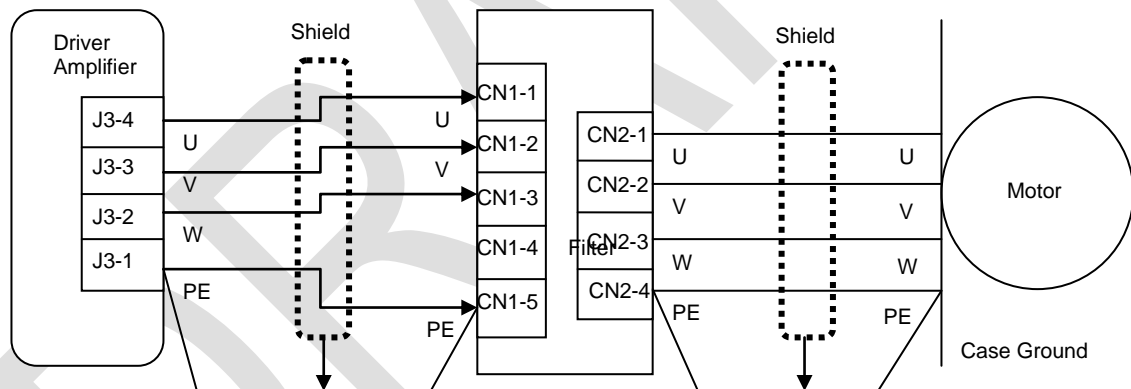
Pin	Name	Function
1	U	Output Phase U to Motor
2	V	Output Phase V to Motor
3	W	Output Phase W to Motor
4	PE	chassis ground and cable shield

Mating Connector

Connector	Description	Manufacturer PN
CN1	Plug component Nominal current: 41 A Rated voltage (III/2):1000 V, Number of positions: 5, Pitch: 7.62 mm Color: green Metal surface: Sn	SPC 5/ 5-STCL-7,62 Order No.: 1718517
CN2	Plug component Nominal current: 41 A Rated voltage (III/2): 1000 V Number of positions: 4, Pitch: 7.62 mm Color: green Metal surface: Sn	SPC 5/ 4-STCL-7,62 Order No.: 1718504

Wire insertion/extraction tool : Slotted screwdriver

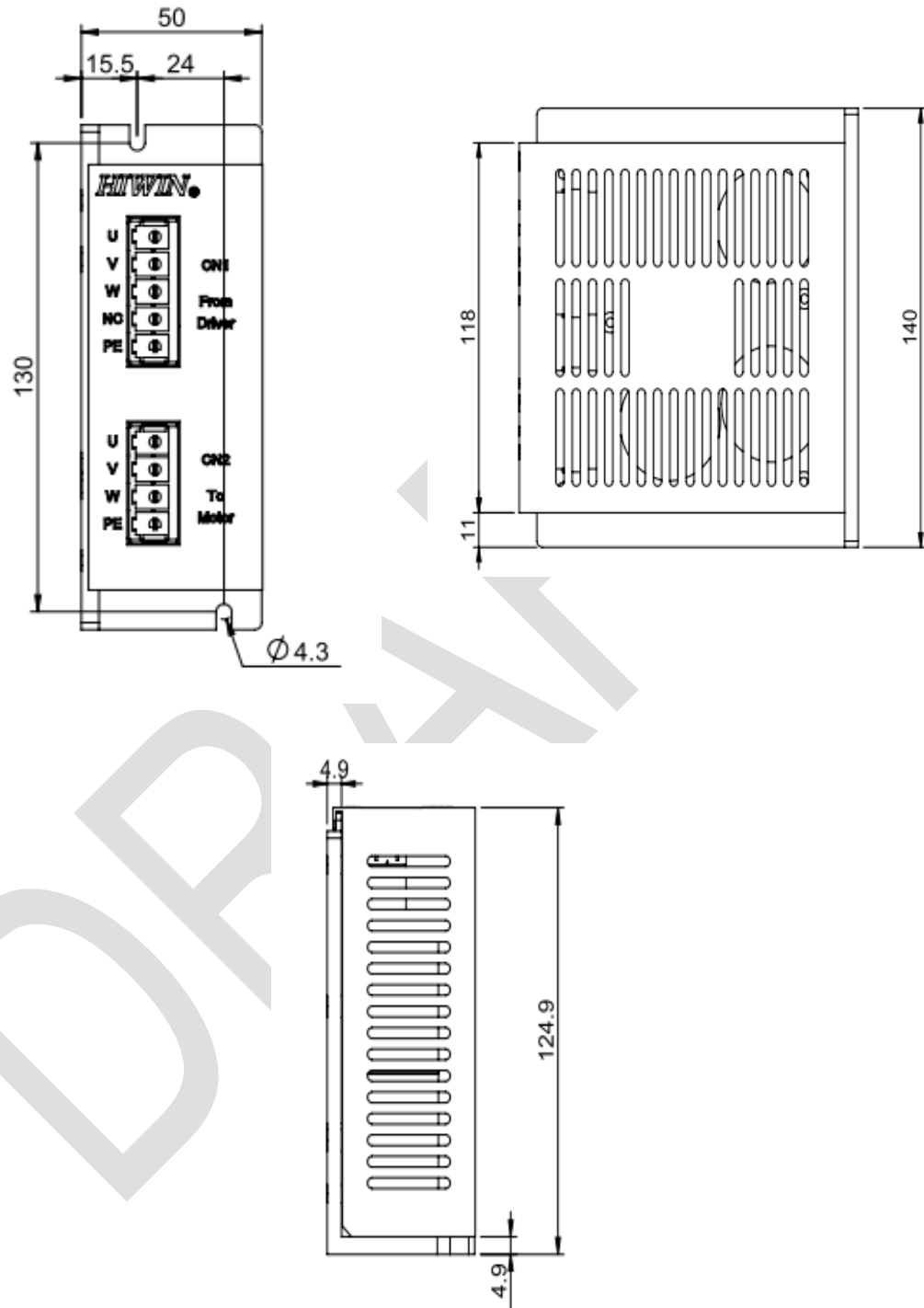
4. Wiring Diagram



Notes

1. Recommended Wire 12AWG, 600V(Shield cable used for CE compliance)
2. To reduce noise, twisted shield cable must be used and the signal cables should not be bundled in the same conduit.
3. Keep the Motor Filter CN1 to MD-36-S driver amplifier cable as short as possible.

5. MF-40-S Motor Filter Dimensions



#### 6. Connector Locations

Motor Filter CN1 connects to MD-36-S J3. Motor Filter CN2 connects to the motor.

