

DTO Terminal Block Operational Manual

DESCRIPTION

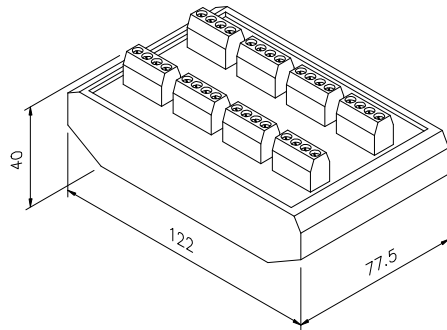
DTO (differential to open collector) terminal block provides an interface that converts the pulse signals from differential mode to open collector.

SPECIFICATIONS

DTO2 : Two sets of converting interface.

DTO4 : Four sets of converting interface.

DIMENSIONS



APPLICATION

If your controller has differential pulse output mode and your driver only has open collector pulse input interface, DTO terminal block is necessary for converting the pulse commands from differential mode to open collector.

OPERATION

1. Figure 1 illustrates the connection scheme for the controller, DTO terminal block, and the driver.
2. As Figure 1, every set of converting interface needs +5Vdc power source for working normally, and the +5Vdc can be from external power supply or drivers.
3. There is a LED on every set of converting interface, and it will light when +5Vdc power source is supplied.
4. If Copley Xenus driver is used, only pins 10, 11, 22 and 23 of J7 connector on

driver have to connect to pins ST, DR, +5V and GND on DTO terminal block respectively.

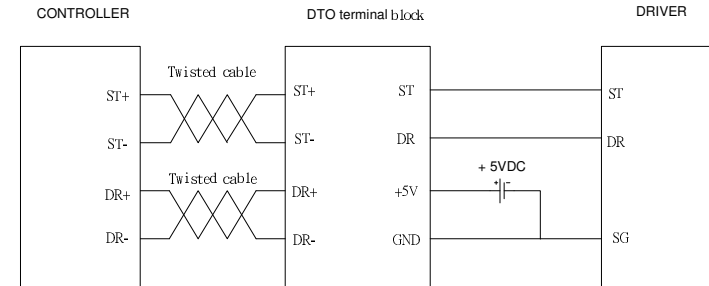


Figure 1

NOTICE:

- In order to protect the pulse commands from noise, the wires between DTO terminal block and the driver should be shorter than 0.5 m (recommended value, the length depends on actual wiring.)
- In order to protect the pulse commands from noise, the wires between DTO terminal block and the driver should be far from power and motor cables.

EXAMPLE

The figure below shows the wiring between HIWIN PCI-4P controller, PCI4P-TB, DTO terminal block and COPLEY driver.

